

ICH-303AT-GU10

120V Line Voltage, Max. 50W MR-16

3.5" IC Type Housing For Halogen with Double Wall

Catalog #		Type
Project		Date
Prepared by		

HALOGEN



DESCRIPTION

The ICH-303AT-GU10 is a 3.5" aperture line voltage housing for accent and task lighting.

APPLICATION

The ICH-303AT-GU10 is designed for insulated ceilings and can be in direct contact with insulation material. The ICH-303AT-GU10 offers a wide choice of trim types including reflector, lensed and wall wash trims. The AIR-TIGHT housing design prevents airflow through the ceiling, helping save on heating and cooling costs.

DESIGN FEATURES

◦ Housing

- Double wall aluminum housing.
- 7-3/4" height allows use in 2"X8" joist construction.
- Housing adjusts for ceilings up to 1-1/4" thick.

◦ Junction Box

- Listed for through branch circuit wiring. (Max. 8 No 12 AWG 90°C branch circuit conductors. (4 in, 4 out)
- (5) 1/2" knockouts with true pry-out slots and (4) knockouts with Romex cable clamp.
- Ground wire provided on J-box.

◦ Mounting Frame

- Galvanized steel construction.
- 12"L x 7-5/8"W

◦ Bar Hangers

- Maximum extension of 24" allows for extra distance between joists.
- Housing can be positioned at any point within 24" joist span.
- Score lines allow "toolless" shortening for 12" joists. Bar hangers may be repositioned 90 degrees.
- Integral T-bar clips snaps onto T-bars and no additional clips are required.

◦ Just-A-Nail

- Pre-installed nail bars with vertical slots are used to evenly align the bars horizontally after nailing halfway into wood joists.

◦ Socket

- Ceramic socket with aluminum heat shield for 120V MR16 (GU10 Base) lamps.

◦ Lamp

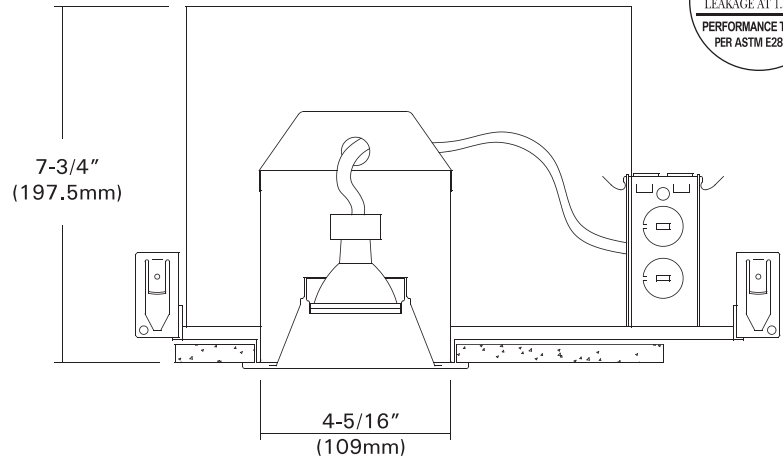
- 120V 50W Max. GU10 base MR16 lamp. - See trim page for more details.

◦ Thermal Protector

- Self-resetting thermal protector in the housing deactivates fixture if overheating occurs due to improper lamping or insulation.

* Listing

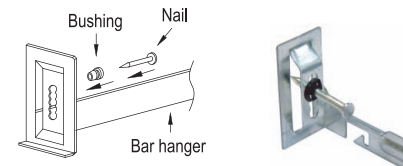
- UL, c-UL listed for damp location.
- UL, c-UL listed for feed through.



Ceiling Cut-out : 3-7/8"
Lamp, Max, Watt. : 50W

• Just-A-Nail

Adjustable nail hanger bar for easy alignment.



JUST-A-NAIL

• Optional "Quick Connect" Push-in wire connectors.

- Three "Quick Connectors"
- Pre-installed push-in wire connectors for fast and easy wiring.

• Compliance

- Washington State Energy Code.
- New York State Energy Conservation Construction Code.
- Certified AIR-TIGHT Under ASTM E283.

Trims

3.5" Halogen Trims For

DLH-103(R), ICH-103AT, DLH-1033(R), DLH-303(R), ICH-303AT

Catalog #		Type
Project		Date
Prepared by		

HALOGEN

TMH-316 Shower Frosted Flat Lens
TMH-317 50W 12V MR16
 Die-Cast Construction
 O.D : 4-5/16"
 TMH-316 is for GY6.35 Base (Bi-Pin)



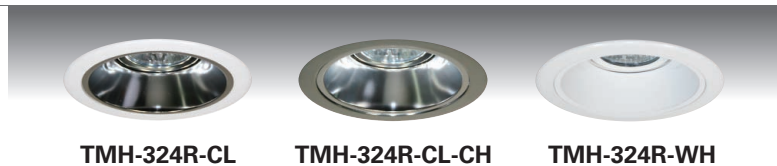
TMH-318 Shower Convex Shape Lens
 50W 12V MR16
 Die-Cast Construction
 O.D : 4-5/16"



TMH-319 Tapered Glass Diffuser
 50W 12V MR16
 Die-Cast Construction
 O.D : 4-5/16"



TMH-324R Adjustable Reflector
 50W 12V MR16
 Die-Cast Construction
 O.D : 4-5/16"



TMH-324B Adjustable Baffle
 50W 12V MR16
 Die-Cast Construction
 O.D : 4-5/16"



TMH-335B Pin Spot w/ Baffle
 50W 12V MR16
 Die-Cast Construction
 O.D : 4-5/16"



TMH-335R Pin Spot w/ Reflector
 50W 12V MR16
 Die-Cast Construction
 O.D : 4-5/16"



TMH-329 Slotted Wall Wash
 50W 12V MR16
 Die-Cast Construction
 O.D : 4-5/16"



Trims

3.5" Halogen Trims For

DLH-103(R), ICH-103AT, DLH-1033(R), DLH-303(R), ICH-303AT

Catalog #		Type
Project		Date
Prepared by		

HALOGEN

TMH-347B Adjustable Wall Wash w/ Baffle
50W 12V MR16
 Die-Cast Construction
 O.D : 4-5/16"



TMH-347B-WH

TMH-347B-PB

TMH-347B-MO

TMH-315 Dropped Clear Etched Lens
50W 12V MR16
 Die-Cast Construction
 O.D : 4-5/16"



TMH-315-WH

TMH-315-BK

TMH-315-SN

TMH-328 Gimbal w/ Baffle
50W 12V MR16
 Die-Cast Construction
 O.D : 4-5/16"



TMH-328-WH

TMH-328-BK-SN

TMH-328-BK-MO

ORDERING INFORMATION

Choose the catalog / finish codes that best suit your needs and enter it on the appropriate line.

TRIM MODEL	REFLECTOR	BAFFLE	METAL RING
	CL :Clear	WH :White	WH :White
	WH :White	BK :Black	BK :Black
	GD :Gold	SN :Satin Nickel	SN :Satin Nickel
	MA :Matte Platinum	AN :Antique Nickel	AN :Antique Nickel
	CP :Champagne	AC :Antique Copper	AC :Antique Copper
	PR :Pewter	MO :Mocha	MO :Mocha
	HC :Haze Clear	CA :Cappuccino	CA :Cappuccino
		CH :Chrome	CH :Chrome
		UN :Natural Steel	UN :Natural Steel
		PB :Polished Brass	PB :Polished Brass

Examples:

TMH-324B-BK-WH = White Metal Trim Ring w/ Black Baffle
 TMH-347B-SN = Adjustable Satin Nickel Wall Wash